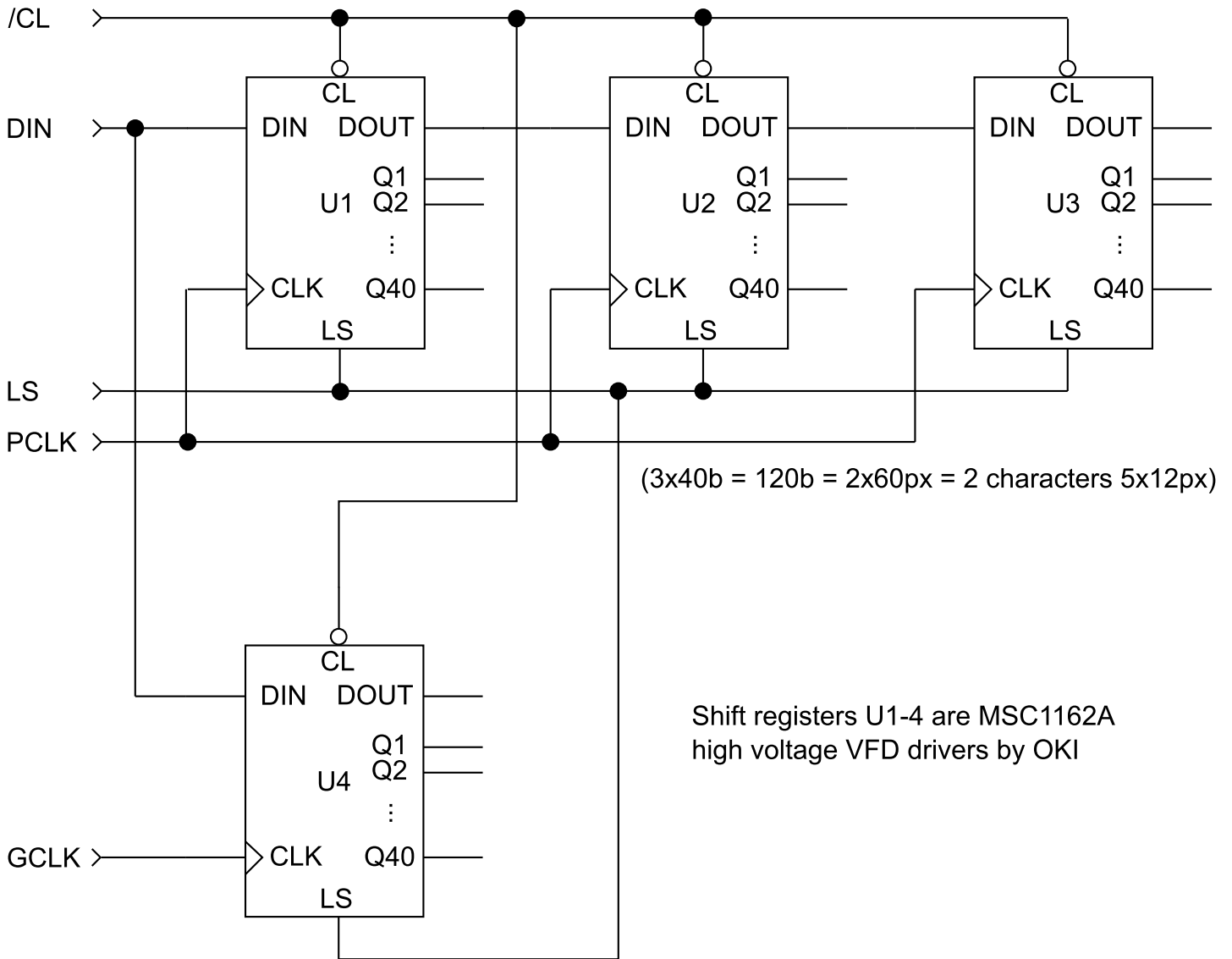


Pixel/anode drivers



Shift registers U1-4 are MSC1162A high voltage VFD drivers by OKI

Character pair/grid driver

(40b = 40 character pairs)

VFD 240W.401